

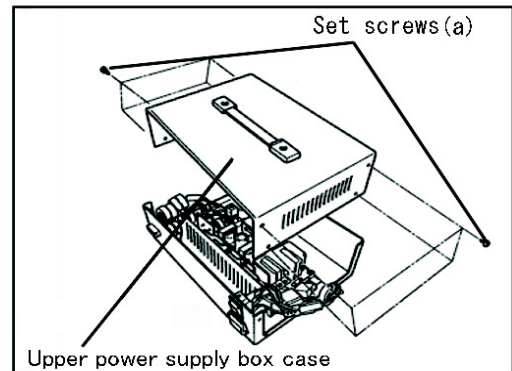
# DC POWER SUPPLY REPLACEMENT

## [Removal]

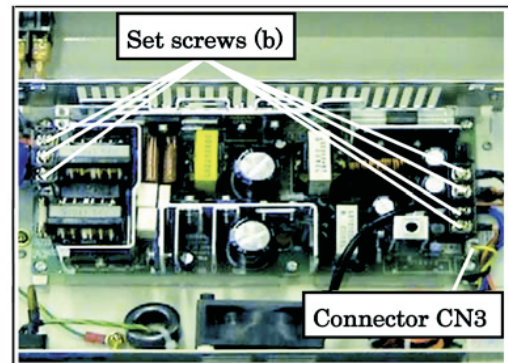
1. Remove the 8 set screws (a), and remove the upper power supply box case.

### **WARNING**

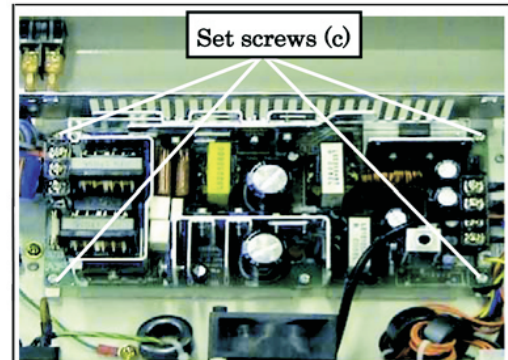
Make sure when remove the connectors screw, connect them back on the same color code position other wise will damage the components on the power unit or machine.



2. Disconnect the connector CN3.
3. Remove the 7 set screws (b), and remove the 13 cords on DC power supply.



4. Remove the 4 set screws (c), and remove the DC power supply.



## [Reassembling]

1. Fix the DC power supply with the 4 set screws (c).
2. Insert the connector CN3 into the DC power supply.
3. Fix the 13 cords with the 7 set screws (b).
4. Reassemble the upper power supply box case with the 8 set screws (a).